

ProCast

Energy Efficient, High Quality,
LED Lighting Fixtures

RECESSED CAST STEP / WALKWAY LUMINAIRE SERIES CSL



Applications

Prolume Cast Series CSL recessed horizontal and vertical luminaires are designed for use as step-lights, in walls, along walkways, as night-lights and for general signage. Using state-of-the-art Luxeon™ Light Emitting Diodes (LEDs) from Lumileds™ in a variety of color choices, these fixtures offer the ultimate in architectural styling, quality of light, long life maintenance-free operation, energy efficiency and durability. They are designed for concrete and brick masonry construction in both outdoor and interior applications and are ideally suited for use in residential, commercial and institutional environments whether the requirement is for simple accent lighting, general illumination or signage.

Fixture Schedule Type	Model Number

Job:

Remarks:



HIGHLY INNOVATIVE • TECHNOLOGY BASED • QUALITY LIGHTING PRODUCTS

525 Fan Hill Road • Monroe • Connecticut 06468
Phone (800) EXIT-LED • FAX (203)268-7855

www.prolumeLED.com
email: info@prolumeled.com

RECESSED CAST STEP / WALKWAY LUMINAIRES – SERIES CSL

PRODUCT SPECIFICATIONS / ORDERING INFORMATION

HOUSING

Heavy duty, one-piece diecast aluminum with stainless steel external hardware. KOs provided. Suitable for concrete pour.

FACEPLATE / FINISH

Heavy duty, one-piece diecast aluminum. Full louver patterns available in horizontal and vertical designs. Half louver pattern available in vertical design only. Open pattern for special legend signage. All faceplates have a durable polyester powder coated paint finish in a choice of standard colors. Custom colors available. Vertical designs suitable for bollard mounting.

LENS / GASKETING

Louver plates include a silicone sealed one-piece UV stabilized polycarbonate or translucent tempered glass lens and a weather resistant extruded rubber o-ring.

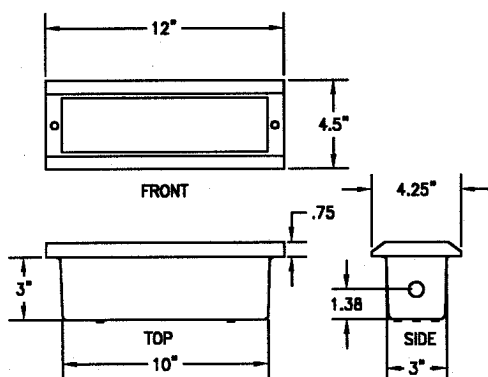
ELECTRICAL / POWER

120/277VAC input to a universal transformer. 3W maximum power.

ILLUMINATION

Provided by a custom LED board and reflector assembly matched to a louver plate to provide maximum light output. Fixtures contain either one or two LEDs as indicated in model table.

DIMENSIONS



COMPLIANCE

ETL listed for wet location applications.

LUXEON™* LED DATA

COLOR	DOM. WAVELENGTH	TYP. LUMENS / LED
WHITE	5500 K (Color Temp.)	45
WHITE	3200 K (Color Temp.)	25
BLUE	470 nm	5
GREEN	530 nm	25
AMBER	590 nm	20
RED	625 nm	44

*LUXEON is a trademark of Lumileds

ORDERING INFORMATION

MODEL	DESCRIPTION / No. LEDs
CSLFV-(X)-(XX)	Full Vertical Louver / 2
CSLFH-(X)-(XX)	Full Horizontal Louver / 2
CSLHV-(X)-(XX)	Vertical Half Louver / 1
CSLO1-(X)-(XX)	Open Face / 1
CSLO2-(X)-(XX)	Open Face / 2
Suffix "-X"	LED Color
-W(C or W)	White (Cool or Warm)
-B	Blue
-A	Amber
-G	Green
-R	Red
Suffix "-XX"	Standard Finish**
-MW	Matte White
-BK	Black
-VG	Verde Green
-SG	Silver Gray

**Consult Factory for special finishes

FACE PLATES

