

CS DUO SERIES

LOW VOLTAGE LINEAR LUMINAIRE

The **Duo CS** once again proves that the whole is greater than the sum of its parts. Designed with a sleek contemporary flair, the **CS** blends into many venues and visually complements the surroundings. Once energized, the setting is transformed and basked by the fixtures crisp and clean illumination.

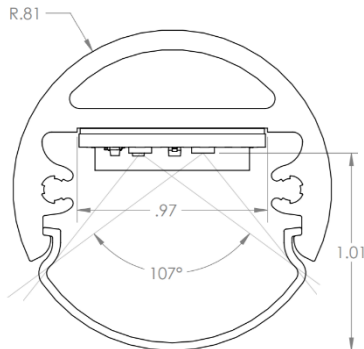
Based upon a new dual row LED light engine design, the **CS** is available in both a standard and high output configuration capable of delivering over five-hundred-twenty-five (525+) lumens. The solid extruded aluminum envelop has a one-hundred-seven-degree (107°) lens opening and a beam angle of one-hundred-fifteen degrees (115°). Whether suspension or wall mounted, the **CS** can be articulated one-hundred-fifty-degrees (150°) to illuminate the area precisely.

Available in one inch increments up to ninety-six-inch (96") lengths and configurable either in series or parallel to a single driver, the **CS** is only limited by the specifier's imagination and is certain to help achieve the desired striking visual impression wherever used.

Features

- Made in America quality and craftsmanship
- Customizable fixture lengths, CCT and CRI available
- Five CCTs and four colored LED options
- Natural anodized aluminum or white powder coated finish standard; custom color powder coats available
- Daisy chain configurable wiring to a single driver
- 150° Built-in articulation

Mechanical Profile & Compliance



- All dimensions in INCHES



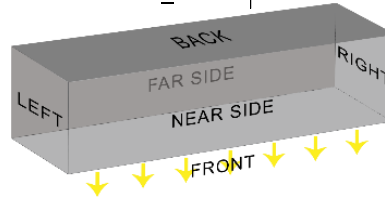
Specifications						
CCT		2700K	3000K	3500K	4000K	5000K
LED Pitch		Dual 0.5"				
Lumen Output						
	SO	242	249	250	278	289
	HO	442	456	459	511	528
CRI		80+ & 90+				
Beam Angle		115°				
Lens		Frosted				
Dimmable		Yes				
On Board Dimming		No				
Construction		Aluminum & Plastic				
Housing		White Powder Coat or Anodized Aluminum				
Fixture Length _{Min}		8"				
Fixture Length _{Max}		102"				
Ordering Increments		1"				
Power Consumption _{W/Ft}		SO 3.75W HO 7.44W				
Efficacy _{LM/W}						
	SO	65	66	67	74	77
	HO	59	61	62	69	71
Power Supply		Class II				
Operating Voltage _{DC}		24V				
Fixture Connectors		Indoor PlugnGo, Flying Leads				
Fixture Mounting		Suspension Cable, Wall Bracket				
Fixture Articulation		150°				
Environmental Rating		Damp				
Certifications		UL				
Warranty _{Limited}		5 years				
Product Dimension _{Diameter}		Fixture	End Cap			
		1.6"	1.88"			
Operating Temp Range		-40 to 140 °F				
Storage Temp Range		-40 to 180 °F				
Weight		0.75 lb / ft				

Specifications subject to change without prior notification

Ordering Information

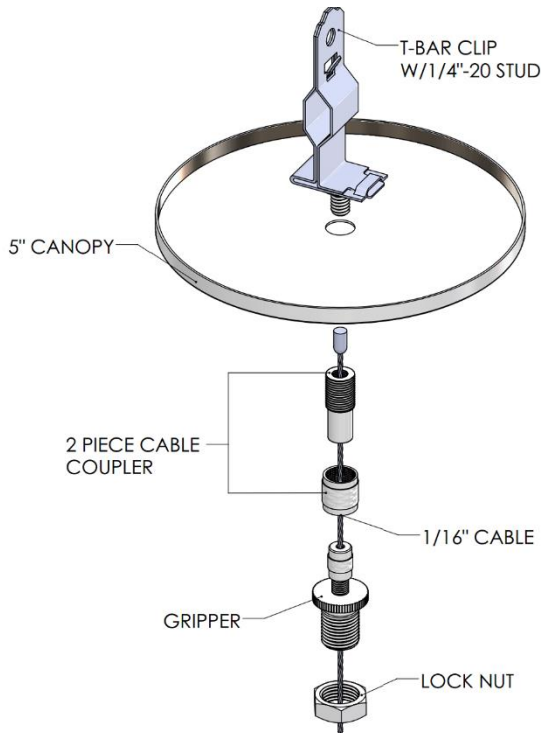
Example: CS-88H-950W-115-LE-IRX-HW

Product	Length ¹	Output	CRI ²	Color	Extrusion	Beam Angle	Ingress Cable Orientation	iPosition	Termination ³	Egress Cable Position ⁴	Mount
CS	##	SO	80+	27	Clear	115	Left	End	IPG	X - None	ST - Suspension TBar Grip
		HO	90+	30	Frosted		Right	Back	FLY	End	SG - Suspension Cable Grip
				35				Nearside		Back	
				40				Farside		Nearside	
				50						Farside	
				RED							
				GRN							
				BLU							
				YLW							

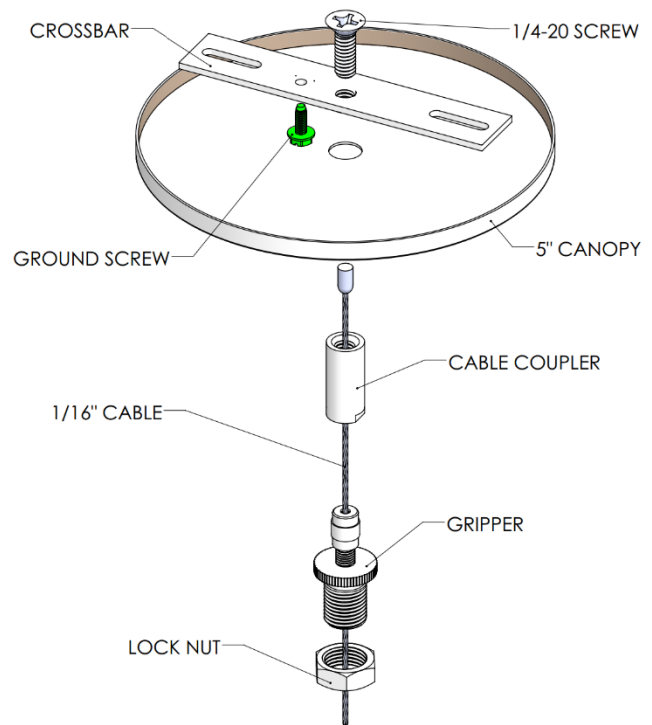


¹ Fixture length in inches, ² CRI does not apply to Colors ³ Indoor PlugGo, Flying leads ⁴ Will always be preceded by the opposite letter of the Ingress Cable Orientation (R or L)

Mounting Clips



Suspension TBar Grip



Suspension Cable Grip

- All dimensions in INCHES

Dimming

The **Duo Series** integrates on board constant current regulation and requires a constant voltage power supply input. Dimming of these fixtures is achieved via Pulse Width Modulation, PWM, to control the driver output. The two methods recommended for dimming are through use of an inline PWM dimming controller in conjunction with the constant voltage power supply, or through use of a dimming compatible driver that will output a PWM signal.

