

LIA

LEGACY SERIES

Admired by the museum community users, the LIA has repeatedly demonstrated its museum quality characteristics and been a favorite for case and exhibit lighting the world over. With a tight fifteen-degree beam angle, devoid of optical shaping, the LIA excels in applications where a focused light pattern is the main objective.

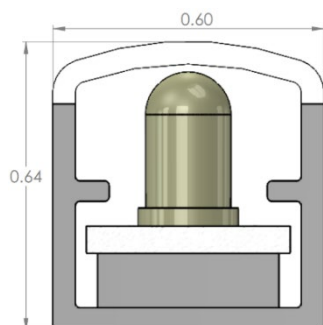
Continuing in the Prolume tradition, the LIA linear luminaire relies upon state-of-the-art LED technology manufactured with exacting standards and tight LED spacing to ensure the delivery of uniform lighting for general pathway lighting, signage backlighting and handrail illumination applications. The low-profile solution can be tailored to specific fixture lengths to meet the specific venue requirements and when considered along with its low power per foot consumption, provides one of the most economic linear solutions in the market.

Its features combine to deliver museum quality lighting in a sleek, low profile and economic package.

Features

- Made in America quality and craftsmanship
- Tailored fixture lengths to meet specific requirements
- Three standard CCTs and four colored LED options
- Ultra-low profile for seamless integration
- Tight optic free, fifteen-degree focused light pattern
- Clear and Frosted lensing with a UV stabilized polycarbonate housing

Mechanical Profile & Compliance



- All dimensions in INCHES



Low Voltage Linear Luminaire



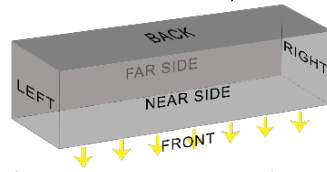
Specifications			
CCT	WW	NW	CW
	2600K to 3175K	3200K to 3800K	4600K to 5600K
LED Pitch	0.5"		
Lumen Output			
15° Clear	93	95	99
50° Clear	87	112	116
15° Frosted	53	54	57
50° Frosted	50	64	66
CRI	80+		
Beam Angle	15° & 50°		
Lens	Clear & Frosted		
Dimmable	Yes		
On Board Dimming	No		
Housing	Polycarbonate body & lens		
Fixture Length	Min 5"	Max 102"	
Ordering Increments	1"		
Daisy-Chain Capable	Yes		
Power Consumption _{W/Ft}	2W		
Efficacy _{LM/W}			
15° Clear	47	48	50
50° Clear	44	56	58
15° Frosted	27	27	28
50° Frosted	25	32	33
Power Supply	Class II		
Operating Voltage _{DC}	24V		
Fixture Connectors	Indoor PlugnGo, Outdoor PlugnGo, Flying Leads		
Fixture Mounting	Very High Bond Tape, Spring Clip, Articulating Clip, Channel Clip, Deep Channel Clip		
Environmental Rating	Wet		
Certifications	UL		
Warranty _{Limited}	5 years		
Product Dimensions _{WxH}	0.60 x 0.62 in		
Operating Temp Range	-20 to 120 °F		
Storage Temp Range	-40 to 160 °F		
Weight _{lbs/ft}	0.16 lb / ft		

Specification subject to change without prior notification

Ordering Information

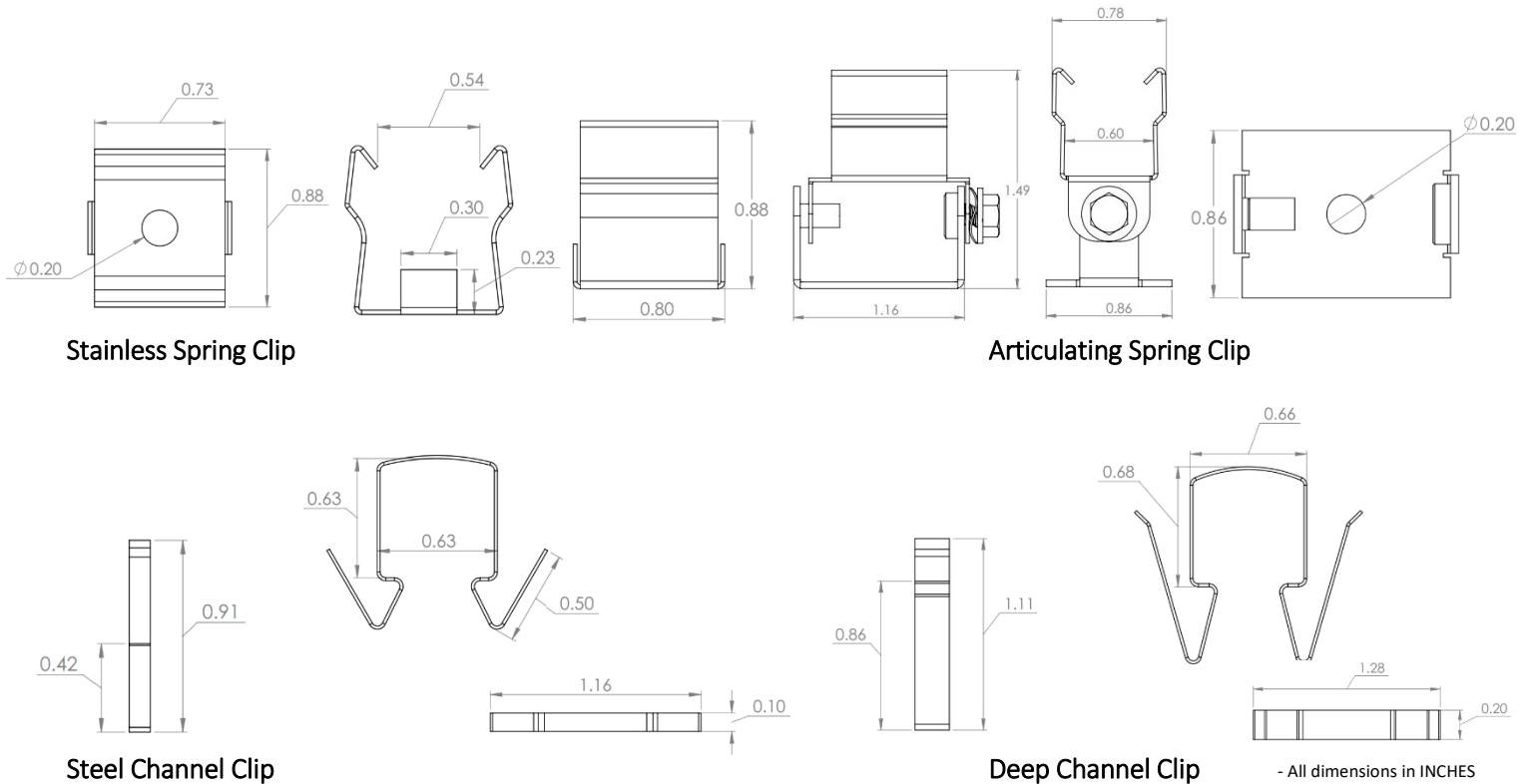
Example: LIA-12H-830C-50-LE-IRE-DC-SN

Product	Length ¹	Output	CRI ²	Color	Extrusion	Beam Angle	Ingress Cable Orientation	iPosition	Termination ³	Ingress Opposite Orientation ⁴	Egress Cable Position	Mount	Accessory	APosition
LIA	##	HO	80+	30	Frosted	15	Left	End	IPG	Right	X - None	BT - Very High Bond Tape	Blank - None	Blank - None
				40	Clear	50	Right	Back	OPG	Left	End	SC - Spring Clip	Switch	Nearside
				50				Nearside			Back	AC - Articulating Spring Clip		Farside
				RED				Farside			Nearside	CC - Channel Clip		Back
				GRN							Farside	DC - Deep Channel Clip		Front
				BLU										End
				YLW										
				AMB										



¹ Fixture length in inches, ² CRI does not apply to Colors; leave blank ³ Indoor PlugnGo, Outdoor PlugnGo ⁴ Will always be the opposite letter of the Ingress Cable Orientation (R or L)

Mounting Clips



Dimming

The **Legacy Series LIA** integrates on board constant current regulation and requires a constant voltage power supply input. Dimming of these fixtures is achieved via Pulse Width Modulation, PWM, to control the driver output. The two methods recommended for dimming are through use of an inline PWM dimming controller in conjunction with the constant voltage power supply, or through use of a dimming compatible driver that will output a PWM signal.

