

RIA LEGACY SERIES

Low Voltage Linear Luminaire

When it comes to diversity the RIA is a solution that knows no bounds...

As a member of the **LEGACY SERIES**, the **RIA** has been specified for a diverse set of applications from cove and facade lighting to trim. With a higher lumen output than similar offerings in the Prolume portfolio, the **RIA** delivers a broader beam angle for a number of demanding applications.

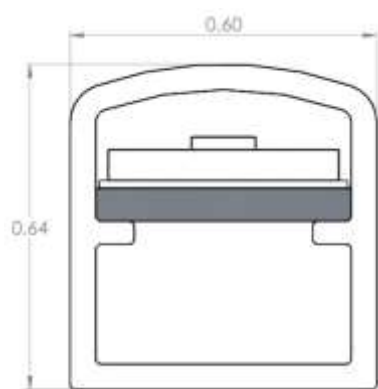
Utilizing state-of-the-art thermal monitoring and current control circuitry, the **RIA** will deliver and maintain ideal light levels while minimizing overheating. In addition, with on board dimming, the **RIA** will meet the demands of task and back lighting applications with ease.

The diverse features combine to make the **RIA** an ideal solution for a wide variety of applications and is capable of fulfilling the most challenging demands of any specifier.

Features

- Made in America quality and craftsmanship
- Tailored fixture lengths, CRI and watts per foot to meet exact application requirements
- Five standard CCTs and four colored LED options
- VHB tape mountable
- On-board dimming
- UV stabilized polycarbonate housing with frosted or clear lensing

Mechanical Profile & Compliance



- All dimensions in INCHES



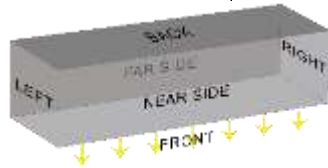
Specifications					
CCT	2700K	3000K	3500K	4000K	5000K
LED Pitch	2"				
Lumen Output					
Clear	189	205	222	232	245
Frosted	115	125	136	142	150
CRI	80+ & 90+				
Beam Angle	115°				
Lens	Clear & Frosted				
Dimmable	Yes				
On Board Dimming	Yes				
Radius _{ft}	Consult Factory				
Construction	Polycarbonate Plastic				
Housing	Polycarbonate body & lens				
Fixture Length	Min 5" Max 102"				
Ordering Increments	1"				
Daisy-Chain Capable	Yes				
Power Consumption _{W/Ft}	3.6W				
Efficacy _{LM/W}					
Clear	52	57	62	64	68
Frosted	32	35	38	39	42
Power Supply	Class II				
Operating Voltage _{DC}	24V				
Fixture Connectors	Indoor PlugnGo, Outdoor PlugnGo, Flying Leads				
Fixture Mounting	Very High Bond Tape, Spring Clip, Articulating Clip, Channel Clip, Deep Channel Clip				
Environmental Rating	Wet				
Certifications	UL				
Warranty _{Limited}	5 years				
Product Dimensions _{WxH}	0.60 x 0.62 in				
Operating Temp Range	-20 to 120 °F				
Storage Temp Range	-40 to 160 °F				
Weight _{lbs/ft}	0.16 lb / ft				

Specification subject to change without prior notification

Ordering Information

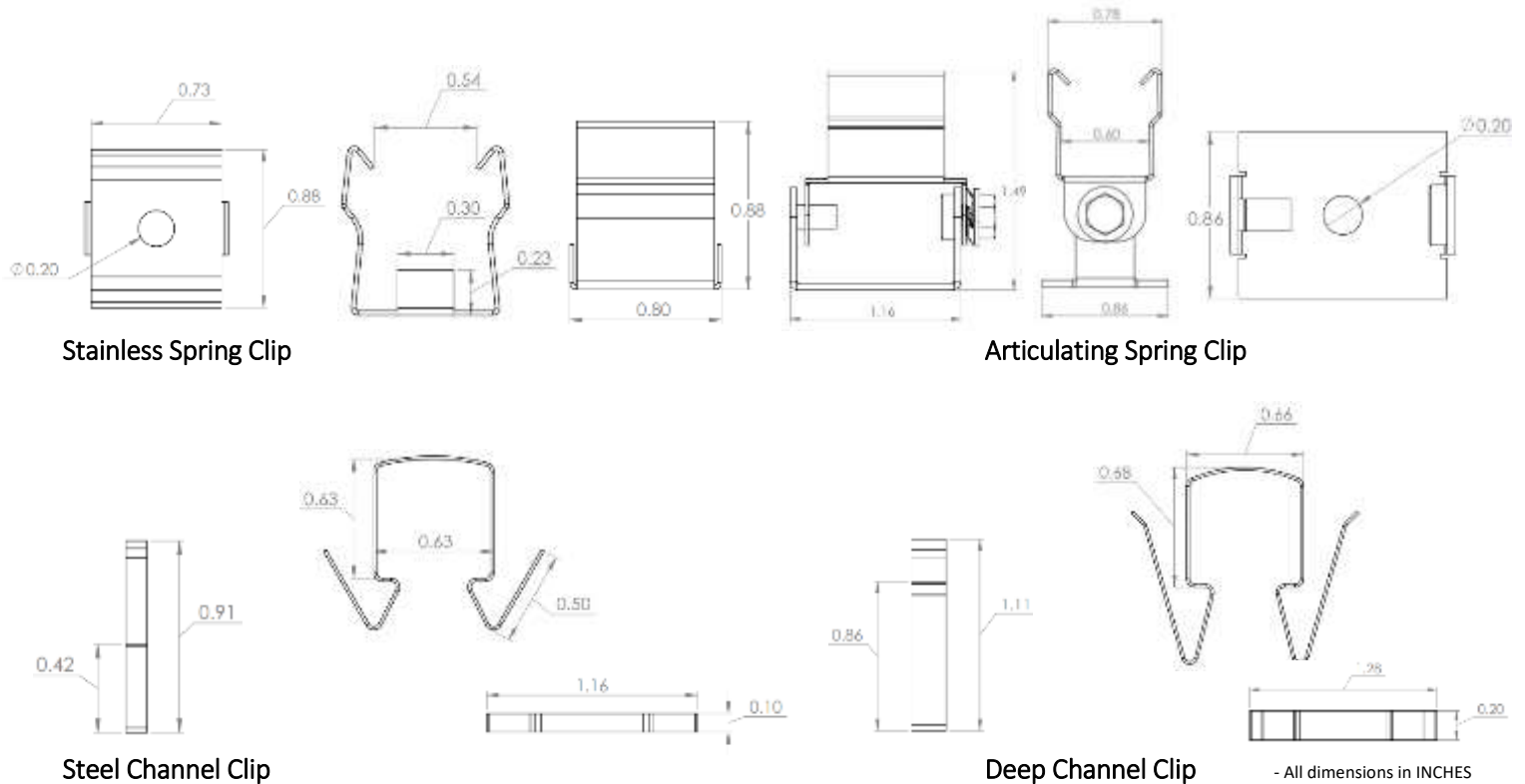
Example: RIA-55S-830C-115-LE-IRE-AS-SE

Product	Length ¹	Output	CRI ²	Color	Extrusion	Beam Angle	Ingress Cable Orientation	iPosition	Termination ³	Ingress Opposite Orientation ⁴	Egress Cable Position	Mount	Accessory	APosition
RIA	##	SO HO	80+ 90+	27 30 35 40 50 RED GRN BLU YLW AMB	Frosted Clear	115	Left Right	End Back Nearside Farside	IPG OPG	Right Left	X - None End Back Nearside Farside	BT - Very High Bond Tape SC - Spring Clip AC - Articulating Spring Clip CC - Channel Clip DC - Deep Channel Clip	Blank - None Switch	Blank - None Nearside Farside Back FRont End



¹ Fixture length in inches, ² CRI does not apply to Colors; leave blank ³ Indoor PlugGo, Outdoor PlugGo ⁴ Will always be the opposite letter of the Ingress Cable Orientation (R or L)

Mounting Clips



Dimming

The **Legacy Series RIA** is designed with a built-in dimming circuit that requires a 0 - 10 V_{DC} sinking dimming controller to properly function. Either a third party sinking dimmer controller can be used or one of two available options in the LEDynamics LVD Series of products.

